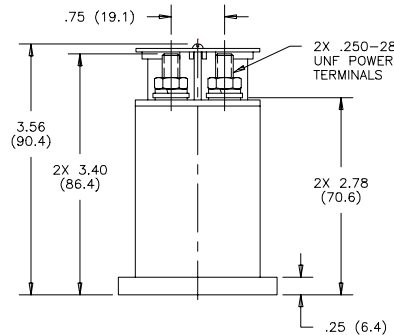
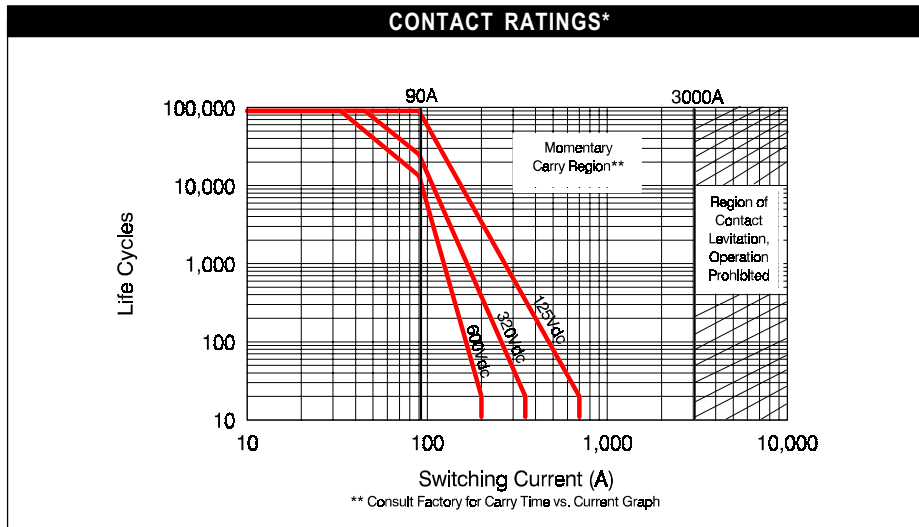


**Kilovac PD90X – 90 Amps ("Spud") Make & Break Load Switching**

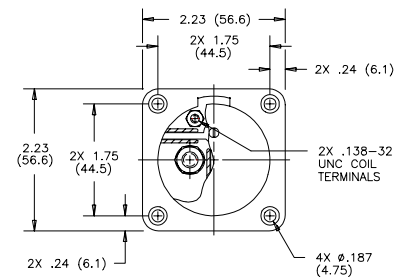


**Features:**

- Vacuum dielectric for power switching
- 90 A carry, 350 A overload @ 320 Vdc
- Versatile power, voltage, and current operating range
- Ideal for circuit protection and control
- Bi-directional switching
- Fast operate and release time
- Low power consumption
- Vacuum-sealed contacts; can operate in harsh environments
- Meets many requirements of SAE ARD50031
- Optimized for power switching



\* Ratings for load power make, carry, & break based on data extrapolated from 270Vdc and 540Vdc testing with resistive load. Since each application is unique, user is encouraged to verify rating in actual application.



**Contact Rating Notes:**

1. Maximum continuous current carry = 90A @  $T_A = 85^\circ\text{C}$ .
2. Maximum interrupt power = 110kW @ 25μH, across voltage range -0 to 600 Vdc.

**PRODUCT SPECIFICATIONS**

Part Number	UNIT	PD90X
Contact Arrangement .....		SPST-NO
Contact Form .....		X
Rated Resistive Load @ 320 Vdc .....	A	90
Continuous Current Carry, Max., 85°C .....	A	90
Overload (make & break) @ 320 Vdc .....	A	350
Load Life, @ 270 Vdc, Min. ....	cycles	25,000
Contact Resistance, Max. ....	ohms	0.002
Dielectric at Sea Level .....	Vrms	1,800
Power Terminals to Coil & all Other Points .....	G's Peak	25
Shock, 11ms 1/2 Sine (peak) .....	G's	5
Vibration, Sinusoidal (55-2000 Hz, peak) .....	°C	-40 to +85
Operating Ambient Temperature Range .....	ms	35
Operate Time, including Bounce, Max., 25°C .....	ms	10
Release Time, Max. ....	ms	8
Bounce Time, Max. ....	Mohm	100/50
Insulation Resistance @ 500 Vdc, Min., .....		
Initial/End of Life .....	gram (oz)	454 (16)
Weight, Nominal .....		

**COIL DATA**

Volts, Nominal	12	24	125	Unit
Pickup, Max. @ 85°C	9.9	19.5	102	Vdc
Hold, Min. @ 85°C	4.3	8.7	45	
Dropout, Min. @ -40°C	0.6	1.4	6.0	
Coil Resistance ( ±10%)	19	76	1890	Ohms
Energy, Magnetic, Max.	.05	.05	.05	J

Coil resistance rated at 25°C

**PART NUMBER SELECTION**

